

Test Report

for GPS L1 SURVEY ANTENNA



Model: HXAT000GASU30E

Chengdu HAIKIN MICROWAVE Technology Co., Ltd

Add: Chengdu 610091, China

Tel: +86-28-87089208

Website: www.hxmicrowave.com

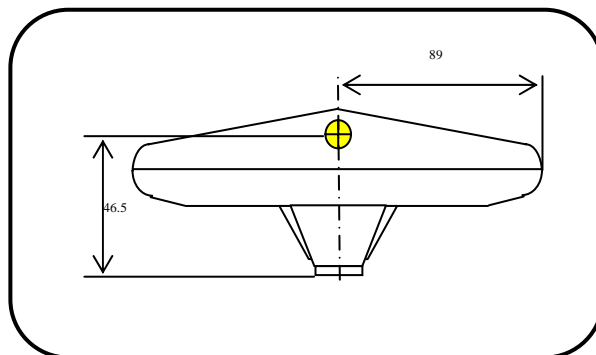
Fax: +86-28-87089208

Email: sale@hxmicrowave.com

Specification

1. Frequency: GPS L1:1575.42MHz±5MHz
2. Pattern:
 - Azimuth: Omnidirectional
 - Elevation: Hemispherical
3. Antenna relative elev.pattern:

	L1
$\theta = 0^{\circ}$ (zenith)	7dBic
$0^{\circ} < \theta \leq 70^{\circ}$	> -2dBic
$70^{\circ} < \theta \leq 85^{\circ}$	> -6dBic
$85^{\circ} < \theta \leq 90^{\circ}$	> -7.5dBic
4. LNA Gain: 25dB±2dB
5. Polarization: Right-hand circular
6. AR: ≤3dB
7. Noise: ≤1.5dB
8. Impedance : 50Ω
9. VSWR : ≤2:1
10. Power requirements: Voltage: 5VDC
Current: ≤20mA
11. Connector: TNC female
12. Operating Temperature : -40℃~+85℃
13. Store Temperature : -55℃~+85℃
14. Weight: ≈ 350 g
15. Size: Φ178mm×67mm
16. error of Phase Center: ±2mm



Test Instruments

Agilent 83630B
HP8563E
HP8720D

Chengdu HAXIN MICROWAVE Technology Co., Ltd

Add: Chengdu 610091, China
Tel: +86-28-87089208
Website: www.hxmicrowave.com

Fax: +86-28-87089208

Email: sale@hxmicrowave.com

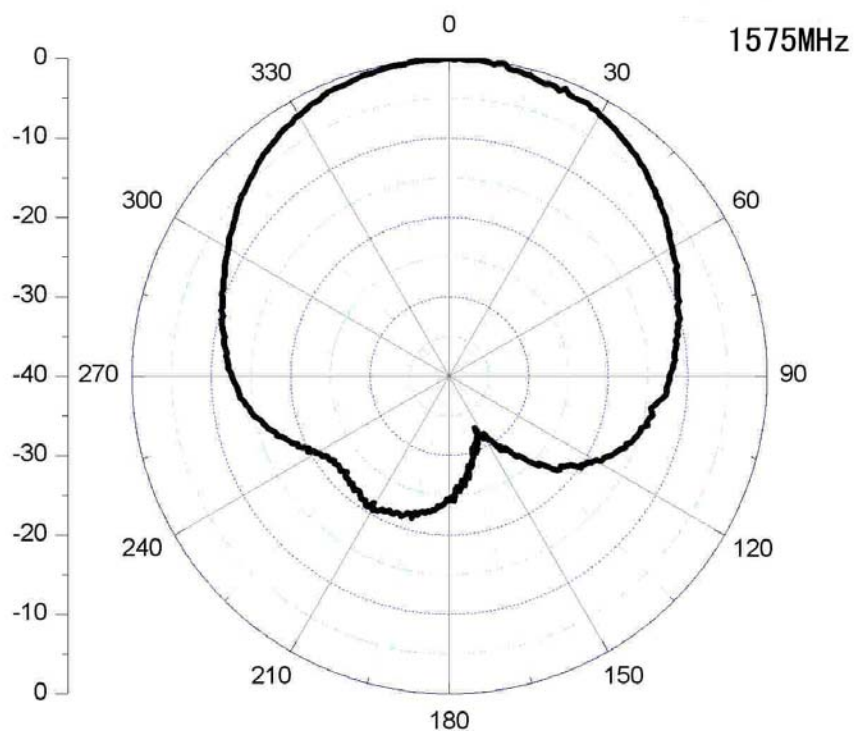
Test Results

1. Gain



Frequency (GHz)	Gain (dBic)
1.575	31.5

2. Pattern



Chengdu HAXIN MICROWAVE Technology Co., Ltd

Add: Chengdu 610091, China

Tel: +86-28-87089208

Website: www.hxmicrowave.com

Fax: +86-28-87089208

Email: sale@hxmicrowave.com